

NSF Series Biological Safety Cabinet



Scope of Application

Professional air purification equipment suitable for pharmaceuticals, medical and health industries, scientific research laboratories of universities and colleges as well as other related fields.

Innovative and Ergonomic Design

- Stainless steel inner liner and work surface
- Equipped with dual DC centrifugal fans
- Platform arm rest
- Waterproof socket
- Universal casters, easy to move
- Ultra-low noise, uniform airflow

Алматы (7273)495-231
Ангарск (3955)60-70-56
Архангельск (8182)63-90-72
Астрахань (8512)99-46-04
Барнаул (3852)73-04-60
Белгород (4722)40-23-64
Благовещенск (4162)22-76-07
Брянск (4832)59-03-52
Владивосток (423)249-28-31
Владикавказ (8672)28-90-48
Владимир (4922)49-43-18
Волгоград (844)278-03-48
Вологда (8172)26-41-59
Воронеж (473)204-51-73
Екатеринбург (343)384-55-89

Иваново (4932)77-34-06
Ижевск (3412)26-03-58
Иркутск (395)279-98-46
Казань (843)206-01-48
Калининград (4012)72-03-81
Калуга (4842)92-23-67
Кемерово (3842)65-04-62
Киров (8332)68-02-04
Коломна (4966)23-41-49
Кострома (4942)77-07-48
Краснодар (861)203-40-90
Красноярск (391)204-63-61
Курск (4712)77-13-04
Курган (3522)50-90-47
Липецк (4742)52-20-81

Магнитогорск (3519)55-03-13
Москва (495)268-04-70
Мурманск (8152)59-64-93
Набережные Челны (8552)20-53-41
Нижний Новгород (831)429-08-12
Новокузнецк (3843)20-46-81
Ноябрьск (3496)41-32-12
Новосибирск (383)227-86-73
Омск (3812)21-46-40
Орел (4862)44-53-42
Оренбург (3532)37-68-04
Пенза (8412)22-31-16
Петрозаводск (8142)55-98-37
Псков (8112)59-10-37
Пермь (342)205-81-47

Ростов-на-Дону (863)308-18-15
Рязань (4912)46-61-64
Самара (846)206-03-16
Санкт-Петербург (812)309-46-40
Саратов (845)249-38-78
Севастополь (8692)22-31-93
Саранск (8342)22-96-24
Симферополь (3652)67-13-56
Смоленск (4812)29-41-54
Сочи (862)225-72-31
Ставрополь (8652)20-65-13
Сургут (3462)77-98-35
Сыктывкар (8212)25-95-17
Тамбов (4752)50-40-97
Тверь (4822)63-31-35

Тольятти (8482)63-91-07
Томск (3822)98-41-53
Тула (4872)33-79-87
Тюмень (3452)66-21-18
Ульяновск (8422)24-23-59
Улан-Удэ (3012)59-97-51
Уфа (347)229-48-12
Хабаровск (4212)92-98-04
Чебоксары (8352)28-53-07
Челябинск (351)202-03-61
Череповец (8202)49-02-64
Чита (3022)38-34-83
Якутск (4112)23-90-97
Ярославль (4852)69-52-93

Россия +7(495)268-04-70

Казахстан +7(7172)727-132

Киргизия +996(312)96-26-47

Product Advantages



Microprocessor Control System

- Intuitive and informative interactive digital LCD display.
- The hot-ball anemometer monitors the downflow and inflow wind speed of the safety cabinet in real time and compares it with the standard wind speed. The rotating speed of the fan is adjusted through the microprocessor system to maintain the constant wind speed of the safety cabinet.
- Real-time display of operational information and parameters including downflow air velocity, flow rate, temperature, humidity, positive pressure, negative pressure, fan cumulative running time and filter remaining service life.
- One button UV lamp timer function, allows users to set 0 to 24 hours of automatic on/off time.



Ultra-Low Noise, Uniform Airflow

- Designed with Dual DC centrifugal fans, combined with an innovative air distribution system, with lower noise, and more uniform air flow.



Superior Filter, Multiple Protection

- ULPA is made of moisture-proof and flame-retardant glass fiber filter paper which can intercept 99.9995% solid particles with a diameter of 0.12 μm to ensure high cleanliness of air supply flow and exhaust flow.
- Perfect air distribution design, no turbulence in the working area.
- Sound and light alarm function for abnormal parameters.



Multiple Voltage Options, Suitable for Many Countries and Regions

- Full voltage coverage (100-230V 50/60Hz), suitable for a wide range of countries and regions.



One-piece Welded Cabinet Structure, Leak Proof

- Prevention of leakage performance of dangerous factors conforms to NSF specification.

Ergonomic Design



Platform Arm Rest

- Platform arm rest frame, comfortable to use, relieves fatigue.



Caster and Foot

- 4 universal casters +4 feet design, easy to move and lock leveling



Wear-resistant and Easy to Clean

- The inner liner is manufactured with stainless steel one-piece structure design, 12mm large arc transition, no dead angles to clean.
- The work surface is manufactured with high quality 304 stainless steel, without any fixed screws, preventing any accumulation pollutants.
- The cabinet is manufactured with cold rolled steel plate with corrosion resistant epoxy resin powder sprayed on the surface, which is resistant to acid and alkali corrosion.



Waterproof Socket

- Waterproof socket with timing technology allows users to program timed on/off function.

Product Features



Equipped with dual DC centrifugal fans, ensure the air flow in the safety cabinet is stable and less noisy. The wind speed is easy to adjust.

The ergonomic 10° inclination of the cabinet makes the operation more comfortable and the vision clearer.



The hot-ball anemometer monitors the wind speed in the working area and exhaust area of the safety cabinet in real time, then compares this with the standard wind speed. The rotating speed of the fan is adjusted through the microprocessor system to maintain the constant wind speed of the safety cabinet.



Equipped with an ultra-high efficiency filter to provide air flow with ultra-high cleanliness in the working area, reaching the US standard Fed STD 209E class 1.



LCD screen:
Digital display of running status, abnormal operation conditions alarm, filter and UV lamp service life warning function, UV lamp timing function and interlock technology.

It is equipped with waterproof socket timing function.

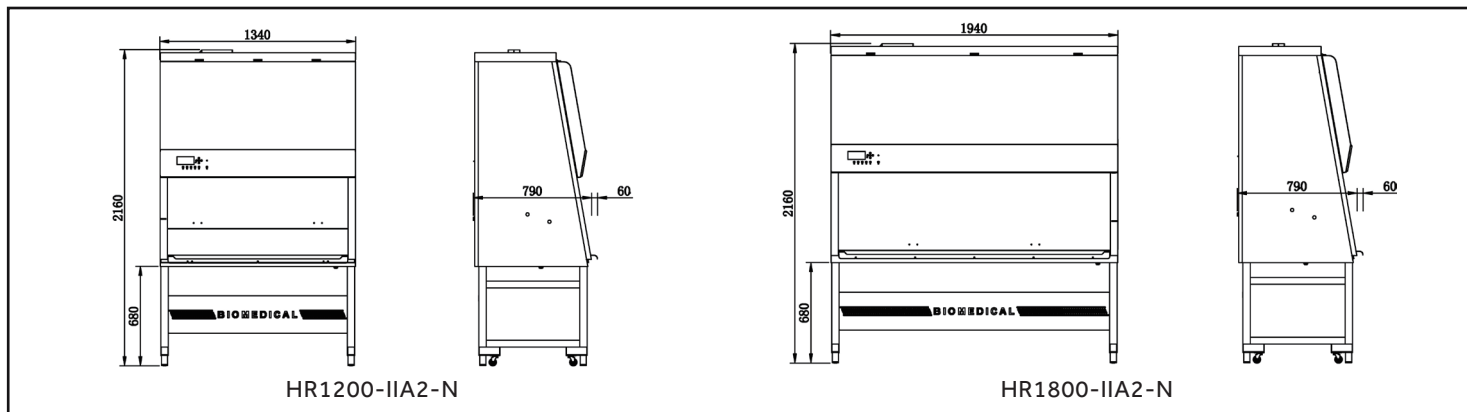
Plain type worktable, large basin.

Adjustable height stand (optional)

Universal casters with built-in threaded support feet.

One-piece arm rest, comfortable to use and relieves fatigue.





		HR1200-IIA2-N	HR1800-IIA2-N
		100-230V 50/60Hz	100-230V 50/60Hz
Power (VA)		1300	1400
Power of Blower (W)		DC 120W 112W	DC 120W 112W
Airflow Circulation		70% Downflow,30% Exhaust	70% Downflow,30% Exhaust
Main Filter Typical Efficiency		ULPA ,U15.99.9995%@0.12um	ULPA ,U15.99.9995%@0.12um
Exhaust Filter Typical Efficiency		ULPA ,U15.99.9995%@0.12um	ULPA ,U15.99.9995%@0.12um
Filter's Brand		AAF	AAF
Downflow Velocity (m/s)		0.35	0.35
Inflow Velocity (m/s)		0.53	0.53
Net/Gross Weight	kg	275/335	375/460
	lbs	617/750	827/1014
Internal Dimensions (W*D*H)	mm	1230*600*650	1830*600*650
	in	48.4*23.6*25.6	72.0*23.6*25.6
External Dimensions (W*D*H)	mm	1340*850*2160	1940*850*2160
	in	52.8*33.5*85	76.4*33.5*85
External Dimensions Without Arm Rest (W*D*H)	mm	1340*790*2160	1940*790*2160
	in	52.8*31.1*85	76.4*31.1*85
Packing Dimensions (W*D*H)	mm	1400*900*1710	2000*900*1710
	in	55.1*35.4*67.3	78.7*35.4*67.3
Stands*		680	680
Container Load (20'/40'/40'H)		8/16/16	6/12/12
Alarm		Sound and Flash	Sound and Flash
Certification		UL, NSF	UL, NSF

*Adjustable Stands (Optional): 680-900mm adjustable height

Алматы (7273)495-231
Ангарск (3955)60-70-56
Архангельск (8182)63-90-72
Астрахань (8512)99-46-04
Барнаул (3852)73-04-60
Белгород (4722)40-23-64
Благовещенск (4162)22-76-07
Брянск (4832)59-03-52
Владивосток (423)249-28-31
Владикавказ (8672)28-90-48
Владимир (4922)49-43-18
Волгоград (844)278-03-48
Вологда (8172)26-41-59
Воронеж (473)204-51-73
Екатеринбург (343)384-55-89

Иваново (4932)77-34-06
Ижевск (3412)26-03-58
Иркутск (395)279-98-46
Казань (843)206-01-48
Калининград (4012)72-03-81
Калуга (4842)92-23-67
Кемерово (3842)65-04-62
Киров (8332)68-02-04
Коломна (4966)23-41-49
Кострома (4942)77-07-48
Краснодар (861)203-40-90
Красноярск (391)204-63-61
Курск (4712)77-13-04
Курган (3522)50-90-47
Липецк (4742)52-20-81

Магнитогорск (3519)55-03-13
Москва (495)268-04-70
Мурманск (8152)59-64-93
Набережные Челны (8552)20-53-41
Нижний Новгород (831)429-08-12
Новокузнецк (3843)20-46-81
Ноябрьск (3496)41-32-12
Новосибирск (383)227-86-73
Омск (3812)21-46-40
Орел (4862)44-53-42
Оренбург (3532)37-68-04
Пенза (8412)22-31-16
Петрозаводск (8142)55-98-37
Псков (8112)59-10-37
Пермь (342)205-81-47

Ростов-на-Дону (863)308-18-15
Рязань (4912)46-61-64
Самара (846)206-03-16
Санкт-Петербург (812)309-46-40
Саратов (845)249-38-78
Севастополь (8692)22-31-93
Саранск (8342)22-96-24
Симферополь (3652)67-13-56
Смоленск (4812)29-41-54
Сочи (862)225-72-31
Ставрополь (8652)20-65-13
Сургут (3462)77-98-35
Сыктывкар (8212)25-95-17
Тамбов (4752)50-40-97
Тверь (4822)63-31-35

Тольятти (8482)63-91-07
Томск (3822)98-41-53
Тула (4872)33-79-87
Тюмень (3452)66-21-18
Ульяновск (8422)24-23-59
Улан-Удэ (3012)59-97-51
Уфа (347)229-48-12
Хабаровск (4212)92-98-04
Чебоксары (8352)28-53-07
Челябинск (351)202-03-61
Череповец (8202)49-02-64
Чита (3022)38-34-83
Якутск (4112)23-90-97
Ярославль (4852)69-52-93

Россия +7(495)268-04-70

Казахстан +7(7172)727-132

Киргизия +996(312)96-26-47